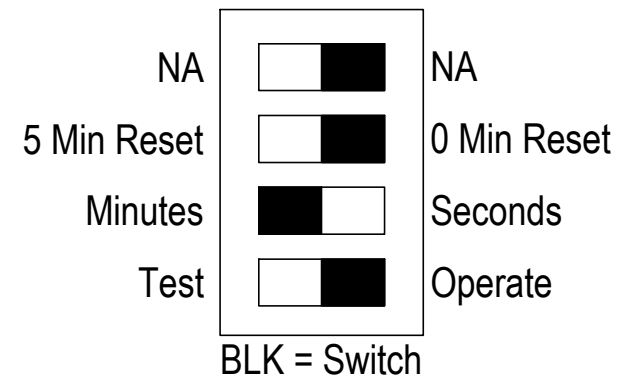
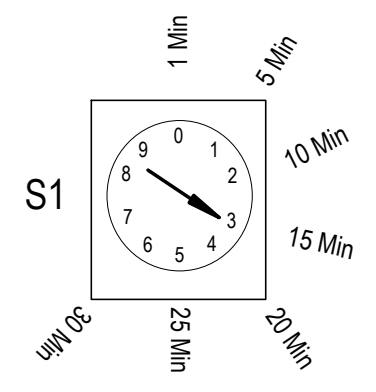
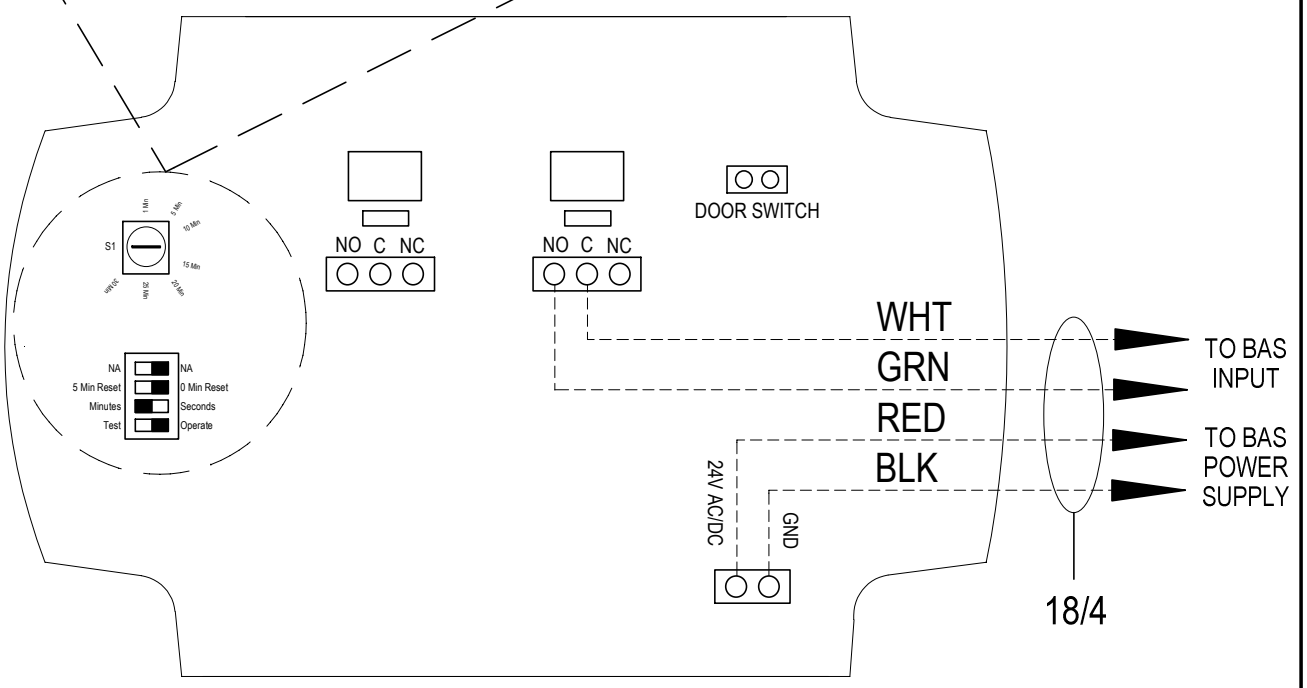


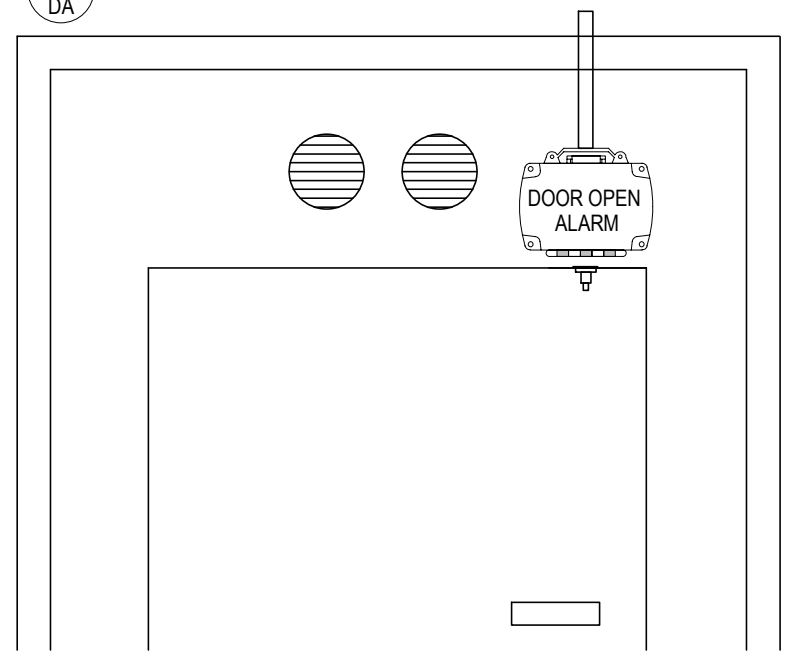
1 SETTINGS & WIRING
DA



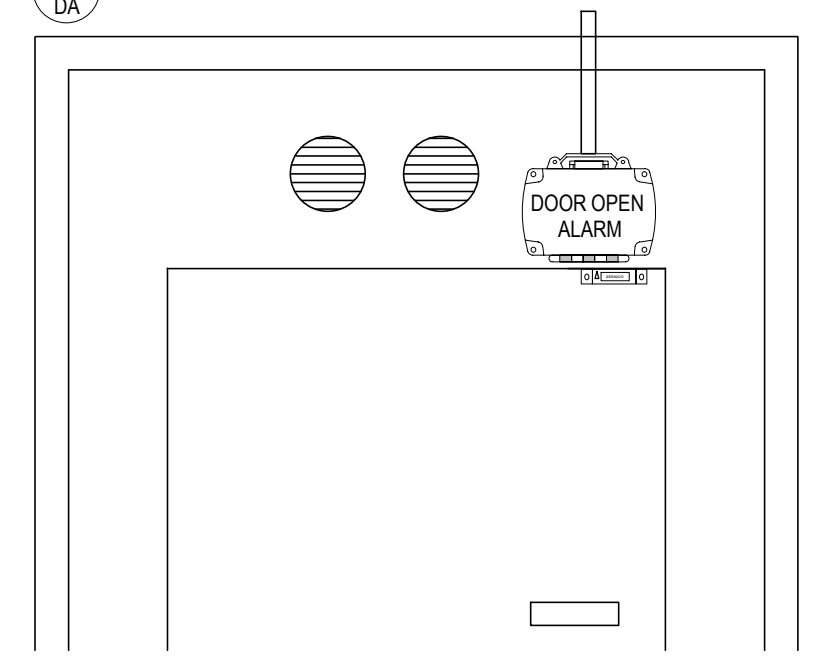
Factory Default Settings



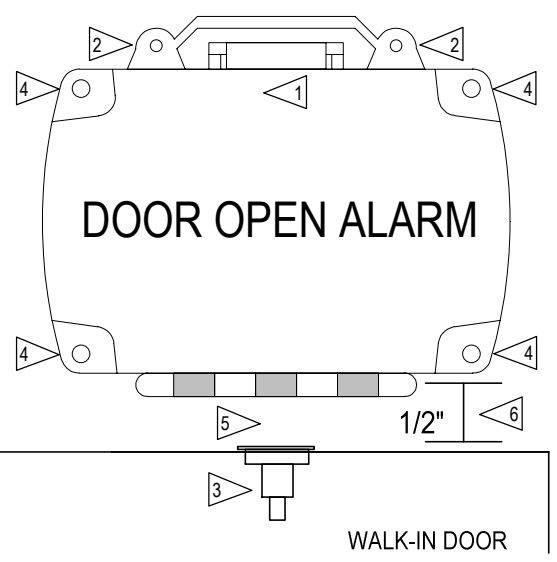
2 Recessed Mount Magnet Layout Overview
DA



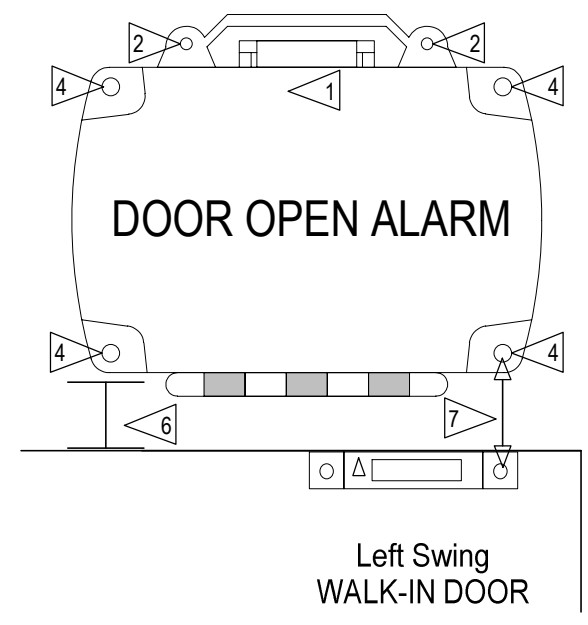
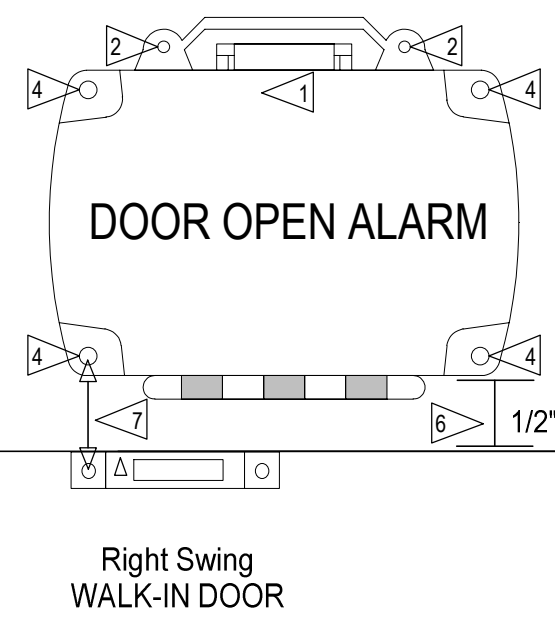
4 Flush Mount Magnet Layout Overview
DA



3 Recessed Mount Magnet Detail
DA



5 Flush Mount Magnet Detail
DA



Flagged Install Notes:

1. Factory Installed 1/2" Conduit Sleeve
2. Door Alarm Cover MUST be secured with Provided Screws.
3. Drill 3/4" Hole 1-1/2" Deep & Insert Magnet.
4. Mount Door Alarm Panel with (4) Screws Provided.

5. Ensure Door Sensor is Aligned with Recessed Magnet.
6. Ensure 1/2" or Less Gap between Door Alarm & Magnet on Top of Door.
7. Align Right or Left Door Alarm Panel Mounting Hole with Flush Mount Magnet Mounting Hole.



EMC
ENERGY MANAGEMENT CONSULTANTS
1550 LAFOLLETTE STREET
FENNIMORE, WI 53809
PH: (608) 822-3550 FAX: (608) 822-3847

PROJECT: TYPICAL	REV/DATE	BY	NOTES
TITLE: DOOR MONITOR ALARM DETAILS (v2.0)			
DATE: 3/24/22			
SCALE: NTS			
DRAWN BY: MHC			
CHECKED BY: --			

DMA 2.0
SHEET